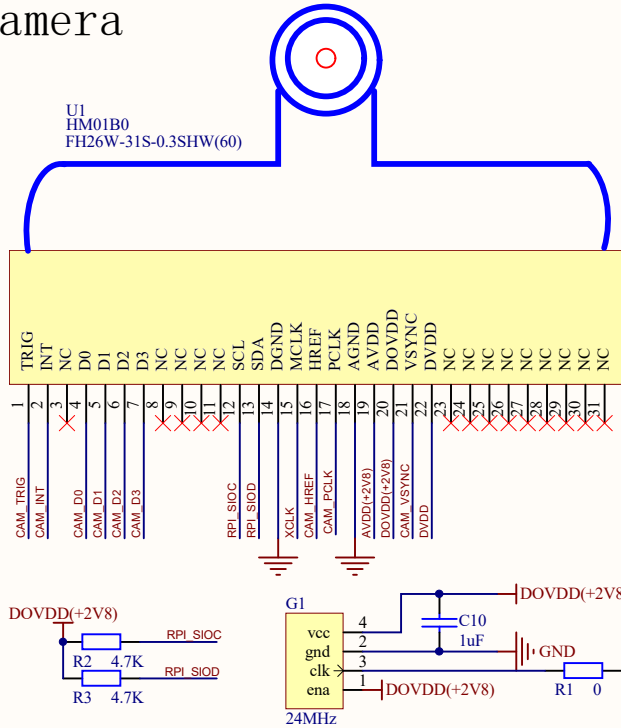
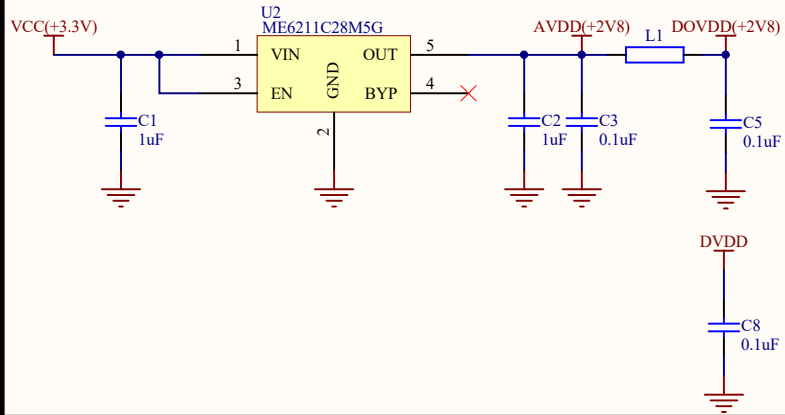


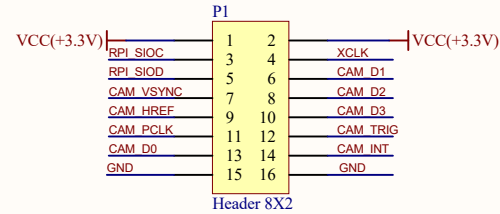
Camera



POWER



Connector



Title		
Arducam Pico-Camera-HM01B0		
Size	Number	Revision
A4	support@arducam.com	Rev.A
Date:	2021-10-21	Sheet 1 of 1
File:	C:\Users\...\UC-805.SchDoc	Drawn By: Arducam Team