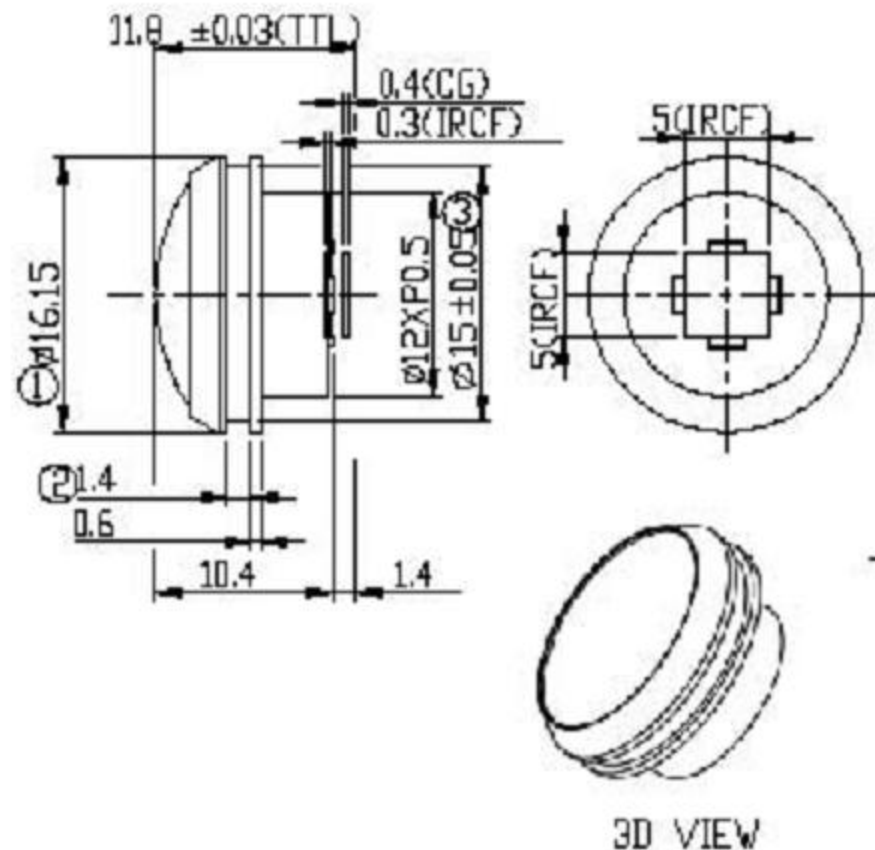


SENSOR SIZE	1/4" (3.6mm(H)X2.7mm(V))
EFFECTIVE PIXEL ARRAY	1280(H)X960(V)
FOCAL LENGTH(EFL)	1.05mm
F/NO	2.0
FLANGE BACK LENGTH	1.48mm
FIELD OF VIEW (DIAGONAL)	206°
(HORIZONTAL)	194°
(VERTICAL)	142°
DISTORTION	less than ±5%(f)
CHIEF RAY ANGLE	19.5(y=1.8mm)
RELATIVE ILLUMINATION	more than 41%(y=1.8mm)
MAX IMAGE CIRCLE	more than Ø3.8mm
THREAD SIZE	M12-P0.5
ELEMENTS	5E+1R
BARREL MATERIAL	Polycarbonate
WATERPROOF	IP67
HARD COATING SPEC	THICKNESS 1~10um PENCIL HARDNESS 4H
AR COATING SPEC	RC/=1% AT 450-630nm Each of 4surface from L2 to L3
IR COATING SPEC	1.Tave>90% at 715±15nm 2.Tave>90% at 400-685nm 3.Tmax>90% 4.Tave<1% at 745-1050nm

NOTE:

- 鏡面表面不能有黑邊
- Barrel的包邊以限度樣品為準
- 鏡面插入支架裡，從Lens上表面到Holder下表面高度是12.67mm±0.25mm，高度內扭力範圍控制為20~140gf.cm
- lens與Holder組合，以手持鏡頭，lens左右不可有明顯的晃動（高度是lens第一面到支架下表面）
- ①~③為重點檢規尺寸

Size: A4
FM05010
3.0



01	Modify the torque range			
02	The first release version		Eugene	
REV.	DATE		BY	APPR.
RELEASED UNLESS OTHERWISE SPECIFIED				
DRAWING/REVISION			A	
MATERIAL			RoHS	RoHS
TITLE			See Note	Eugene
P.L.C. NO.				Chao shang
PART NO.				Ray
1 of 1			2,000	

LS-40180