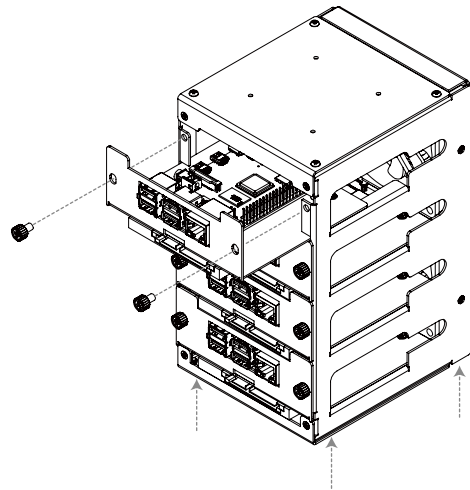
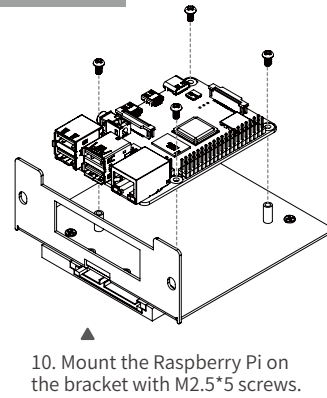
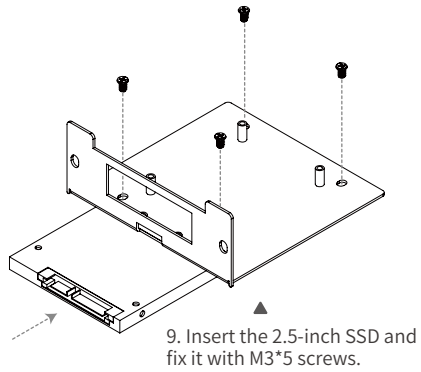
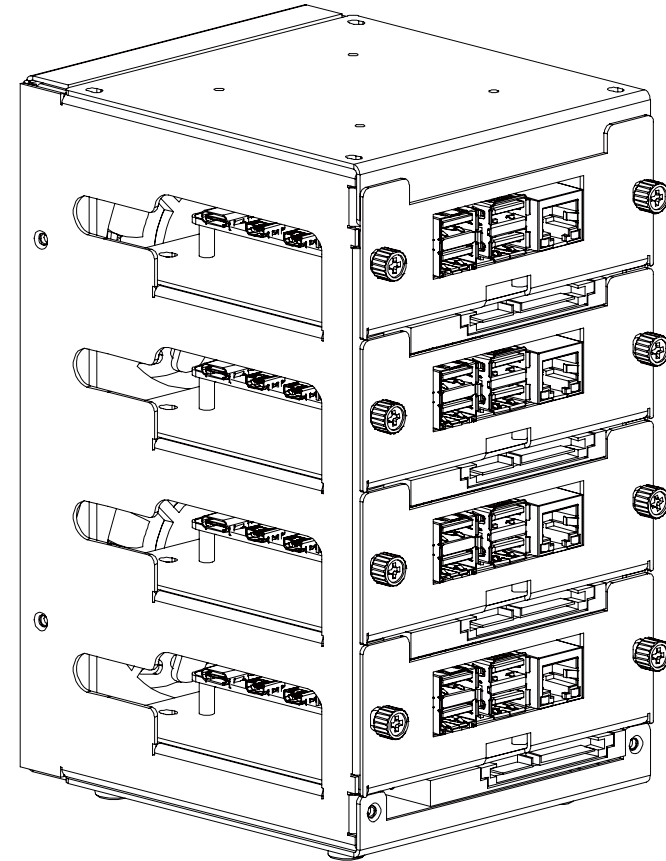


Installation



ASSEMBLY GUIDE



CONTACT US

If any problem, feel free to contact us.

Website: www.uctronics.com

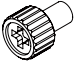




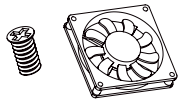
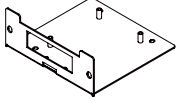

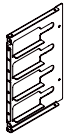
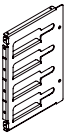
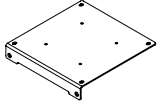
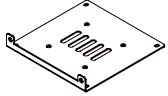
Email: support@uctronics.com



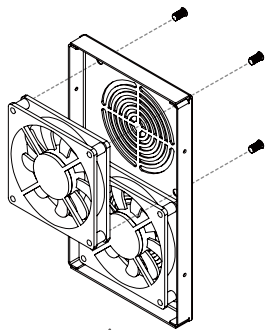
SKU: U6244

www.uctronics.com

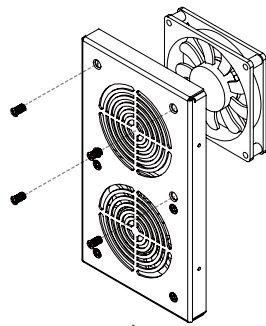
Package Contents

			
M4 thumbscrew×8	M2.5*5 screw×16	M2.5*5 screw for RPi×16	M3*5 Countersunk screw for SSD×16
			
Footpad×4	8cm Cooling fan×2 M5*8 screw for fans×8	Mounting bracket×4	Back panel×1
			
Left panel×1	Right panel×1	Top panel×1	Bottom panel×1

Installation

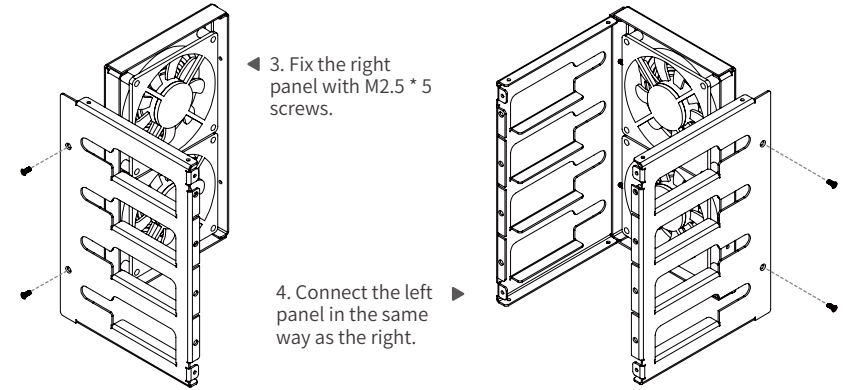


1. Fix the fan on the back panel with M5*8 screws.

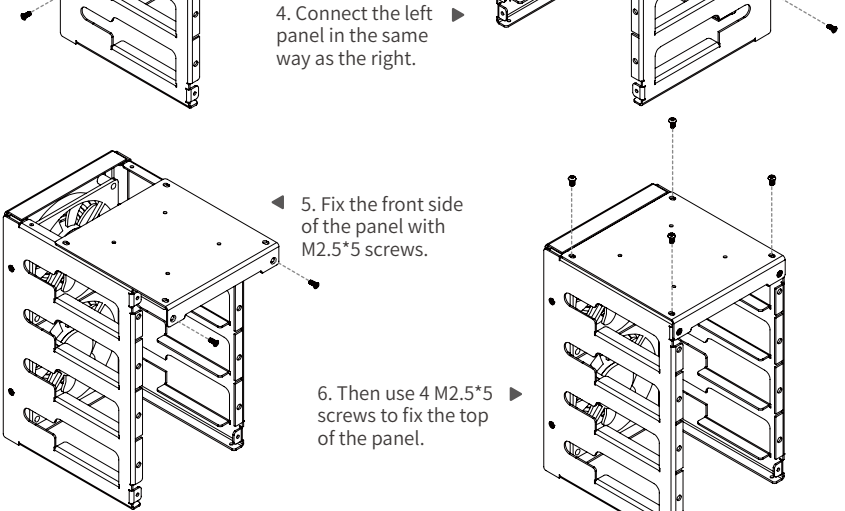


2. Pay attention to the direction of the fan, the sticker should face Raspberry Pi.

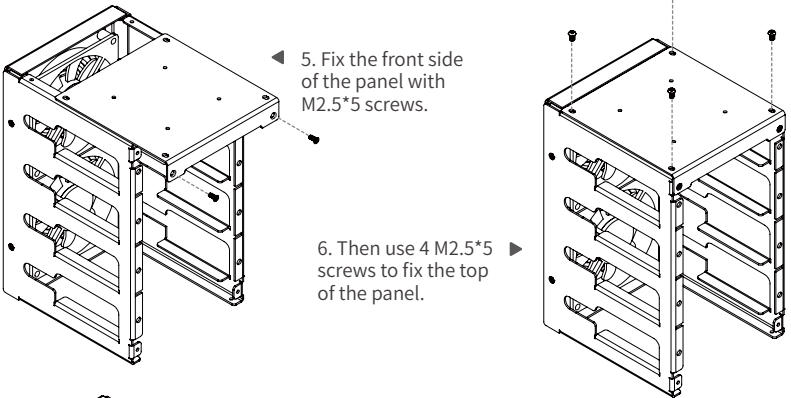
Installation



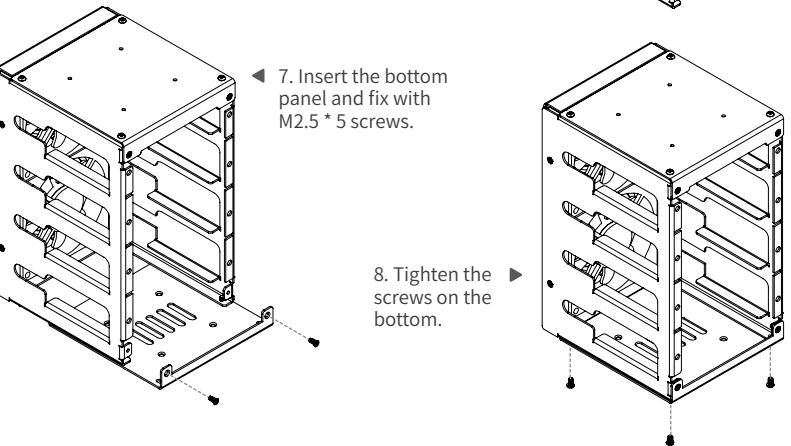
3. Fix the right panel with M2.5 * 5 screws.



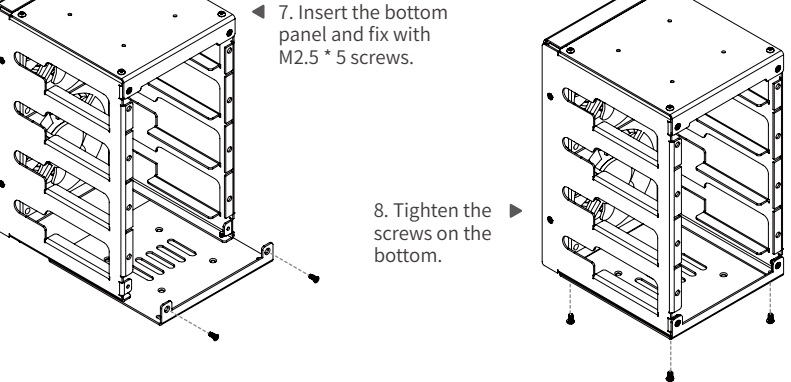
4. Connect the left panel in the same way as the right.



5. Fix the front side of the panel with M2.5*5 screws.



6. Then use 4 M2.5*5 screws to fix the top of the panel.



7. Insert the bottom panel and fix with M2.5 * 5 screws.

8. Tighten the screws on the bottom.