

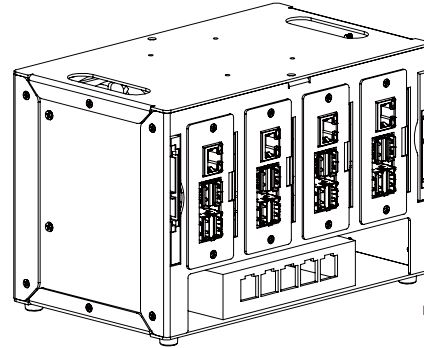
# UCTRONICS ASSEMBLY GUIDE

SKU: U6184

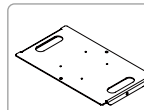


[www.uctronics.com](http://www.uctronics.com)

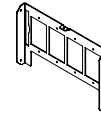
## Package Contents



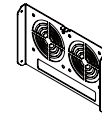
Raspberry Pi, ethernet switch  
and SSD are not included.



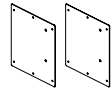
1. Top panel×1



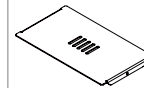
2. Front panel×1



3. Back panel×1



4. Side panel×2



5. Bottom panel×1



6. M2.5\*5 screw×42



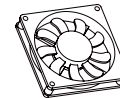
7. M3\*5 screw for  
SSD×4



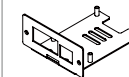
8. Footpad×4



9. M5\*8 screw for  
cooling fan×8



10. Cooling fan×2

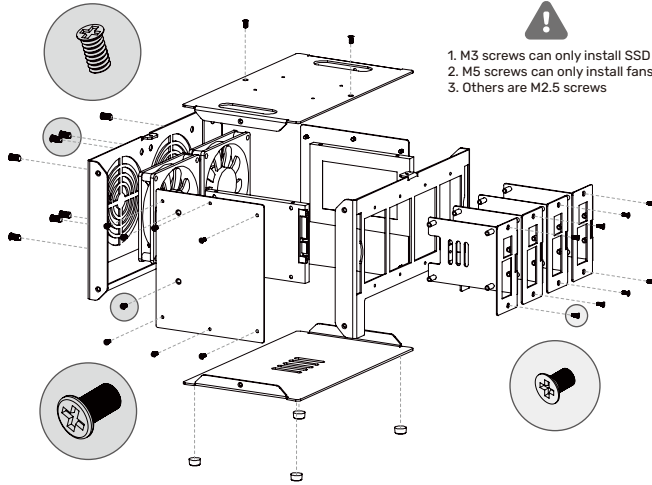


11. Mounting plates ×4

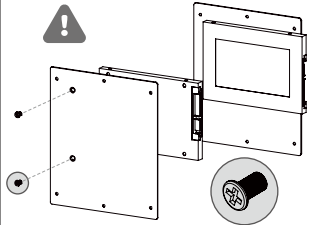


12. Screwdriver×1

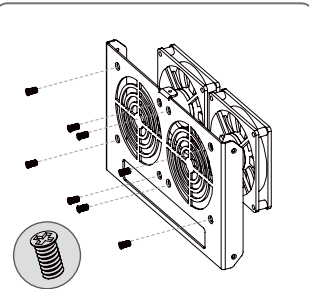
## Assembly Steps



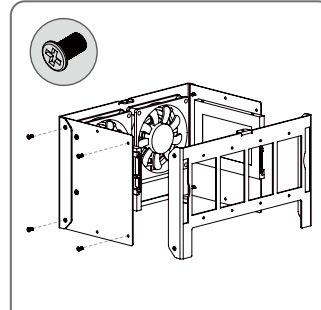
The two side panels are different, please distinguish them by the mark on each panel, and the marked side should be outward.



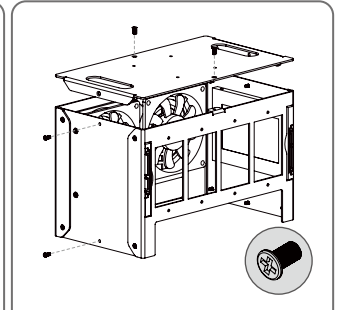
1. Optional step, if you need to install SSDs, please mount the SSDs to the two side panels with M3 screws, this step can also be finished after panels assembled.



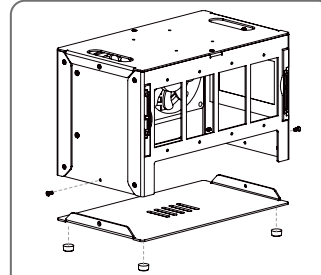
2. Mount the cooling fans to the back panel and fix them with M5 screws.



3. Assemble the back panel, front panel and side panels with M2.5 screws.

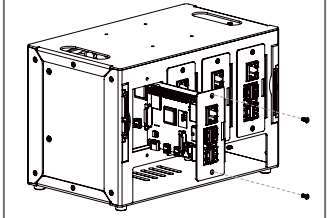


4. Put the top panel to cover the top and fix it with M2.5 screws.



5. Assemble the finished frame with the bottom panel, fix them with M2.5 screws. And mount the four footpads to the bottom, tear off the sticker and paste it directly.

⚠ Please let the I/O ports downwards if they need to be plugged in.



6. Install the Raspberry Pi on the mounting bracket with four M2.5 screws, then plug in the plugged in, and fix it with two M2.5 screws.

## CONTACT US

If any problem, feel free to contact us.

Website: [www.ucronics.com](http://www.ucronics.com)

Email: [support@ucronics.com](mailto:support@ucronics.com)