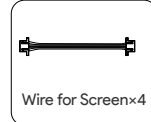
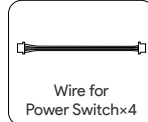
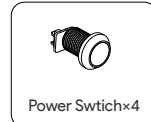
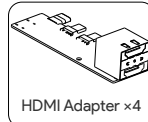
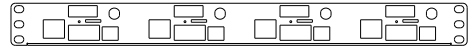
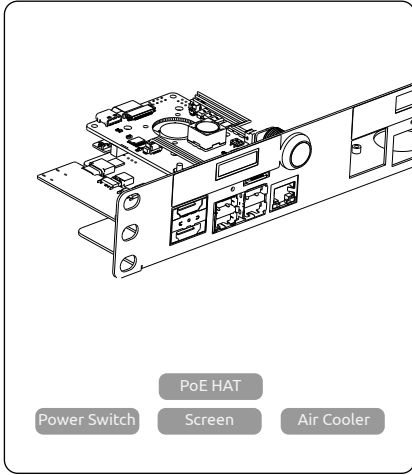


UCTRONICS

Rackmount with PoE functionality for Raspberry Pi 4

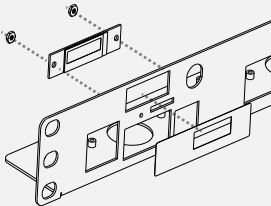
SKU: U6145



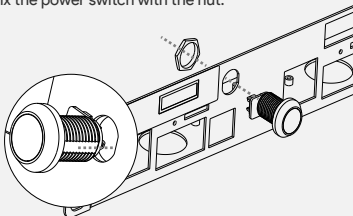
INSTALLATION

INSTALLATION

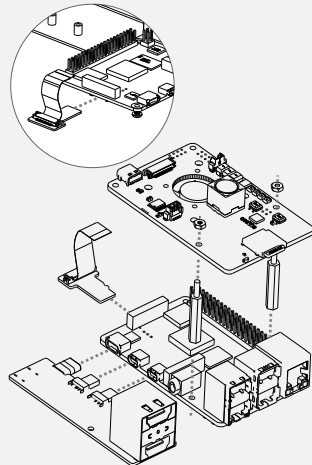
- 1 Fix the OLED on the rack with nut and stick the OLED sticker.



- 2 Fix the power switch with the nut.

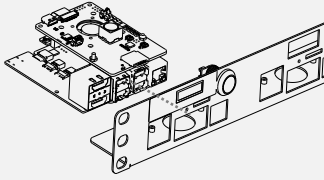


- 3 Assemble the HDMI adapter and PoE HAT, and plug in the SD card adapter.

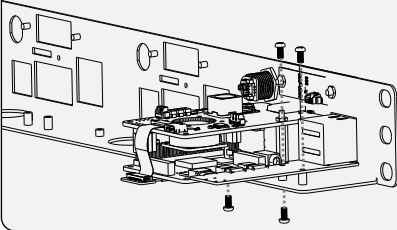


INSTALLATION

- 4 Align the holes and insert RPi into the rack.

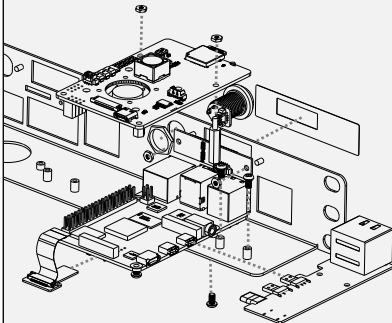


- 5 Fix with screws.

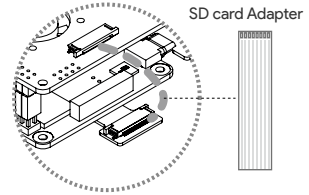
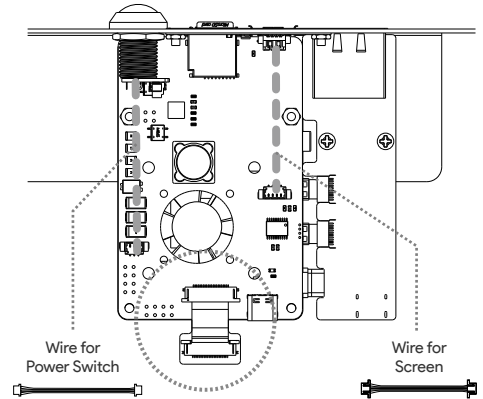


EXPLODED VIEW

Code library:
https://github.com/UCTRONICS/U6143_ssd1306.git



WIRING



NOTE

The OLED display will turn on automatically when powered on, please add the following boot-up script to read the stats (CPU/Memory load, IP address, temperature, etc.):

1. Open the rc.local file

```
sudo nano /etc/rc.local
```

2. Add command to the rc.local file

```
cd /home/pi/U6143_ssd1306/C
sudo make clean
sudo make
sudo ./display &
```

3. Reboot your system