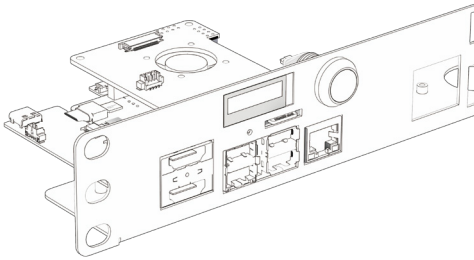


Pi Rack™

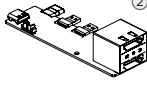
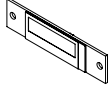
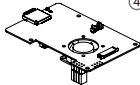
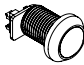





Mounting and Wiring Guide of Ultimate Raspberry Pi Rack

SKU: U6143

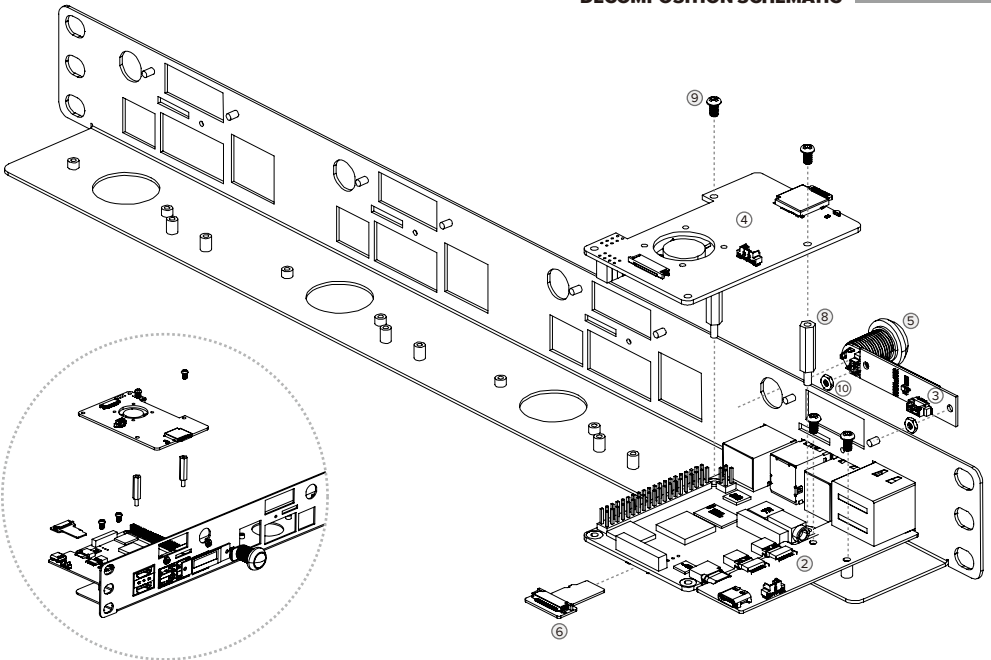


UCTRONICS
www.uctronics.com

ACCESSORIES

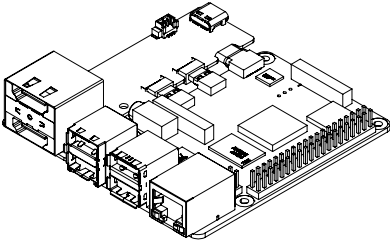
		
HDMI adapter × 4	0.91 inch OLED × 4	HAT × 4
		
Power Switch × 4	sd adapter board × 4	Line × 8
		
Standoff × 8	M2.5 Screw × 16	M2.5 Nut × 8

DECOMPOSITION SCHEMATIC

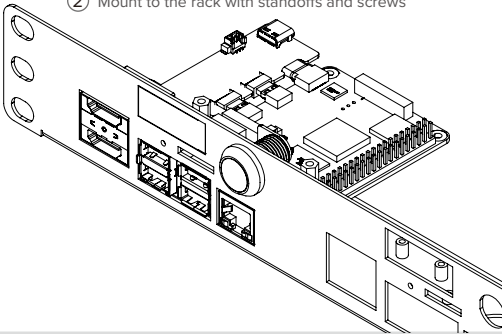


INSTALLATION DETAILS

- 1 Align and connect HDMI adapter and Pi 4

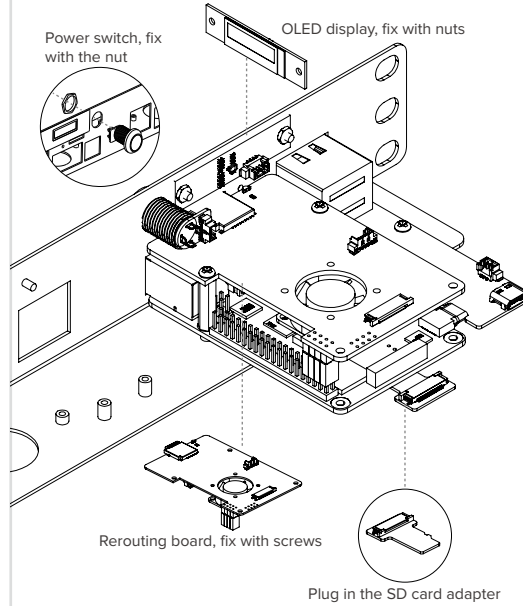


- 2 Mount to the rack with standoffs and screws

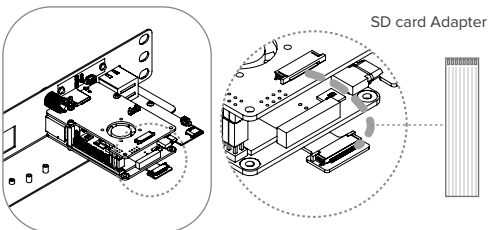
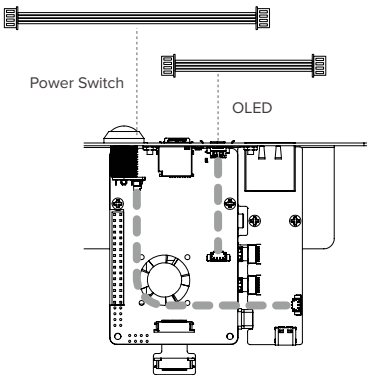


INSTALLATION DETAILS

- 3 Mount the power switch and OLED display, assemble the rerouting board, and plug in the SD card adapter



WIRING



DEMO CODE

Please run the following commands to use the OLED display.

1. Clone Demo Code

```
git clone https://github.com/UCTRONICS/U6143_ssd1306.git
```

2. Install library

```
sudo pip3 install adafruit-circuitpython-ssd1306
```

3. Install python3

```
sudo apt-get install python3-pip
```

```
sudo apt-get install python3-pil
```

4. Enable I2C1

```
sudo raspi-config
```

Interface Options->I2C

5. Test

```
sudo python3 ssd1306_stats.py
```

6. Running the OLED on Boot

The fastest/easiest way is to put it in `/etc/rc.local`

```
cd /home/pi
```

```
sudo python3 ssd1306_stats.py &
```