

**NOTE:** Follow the servo motors' wire colors but not the jumper wires'. The colors of the jumper wires are used to distinguish between each other only and do not need to be matched in real wire connection to the Raspberry Pi.

### Use The Pan Tilt Camera

Please run the following commands below to use the pan-tilt kit.

#### 1.Clone Demo Code

git clone <https://github.com/ArduCAM/PCA9685.git>

#### 2.Enter the target Directory

cd PCA9685/

#### 3. Compile

make

#### 4. Run the demo

sudo ./RunServoDemo

Use the arrow keys on the keyboard to control the camera pan and tilt direction.

### Contact Us

Feel free to contact us if you need our help.

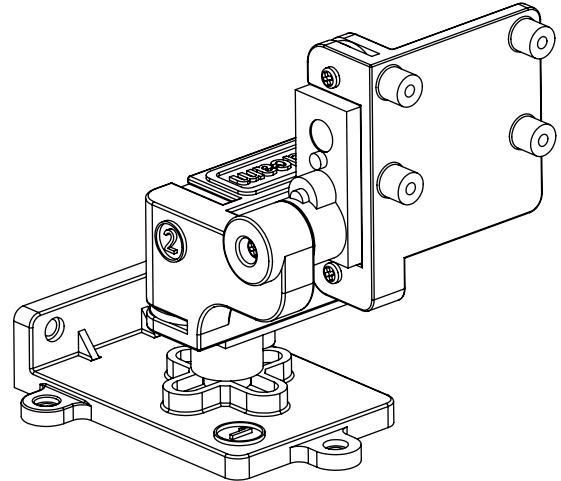
**Email:** [support@arducam.com](mailto:support@arducam.com)

**Website:** [www.arducam.com](http://www.arducam.com)

**Skype:** arducam

# ArduCam®

## Pan-Tilt Platform Kit for Raspberry Pi Camera



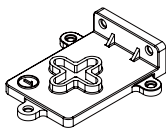
**SKU:** B0227

**QUICK START**

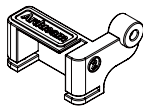
B0227 is a new member of the family, which can move the camera for pan and tilt directional control, and that means a single camera can be used to monitor places that should be covered by multiple ones.

Github: <https://github.com/ArduCAM/PCA9685>

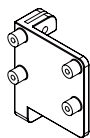
## Packing list



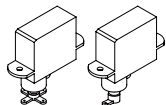
Components ×1



Components ×1



Components ×1



Servo ×2

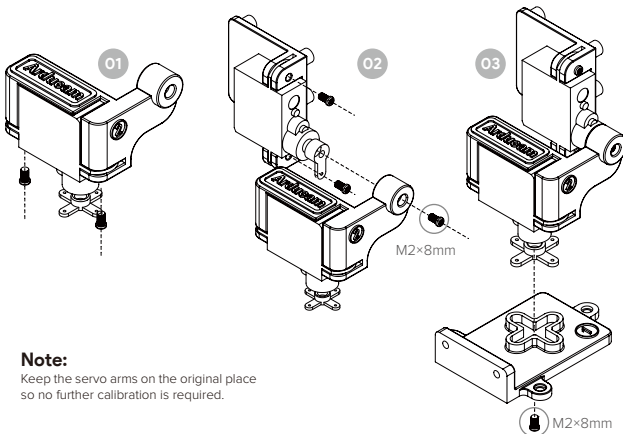


M2×5mm×4



M2×8mm×2

## Assembling Step

**Note:**

Keep the servo arms on the original place so no further calibration is required.

Digital Servo	
Torque	0.6 kg/cm@3.6V, 0.8 kg/cm@4.8V
Operating Speed	0.13sec/60°@3.6V, 0.09sec/60°@4.8V
Operating Voltage	3.6V ~ 4.8V
Operating Current	< 350mA
Dead Band	3 usec
Weight	3.7g
Dimension	20.0 x 8.75 x 22.0 mm
Control Board	
PWM Driver	PCA9685
PWM Resolution	12-bit
Communication Interface	I2C
Operating Voltage	3.3V/5V
Dimension	25mm x 61mm
Rotation Angle	
Vertical Rotation	145°
Horizontal Rotation	180°