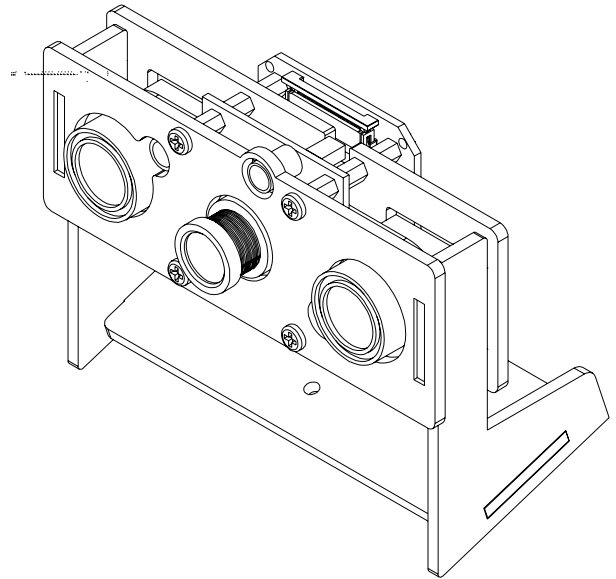
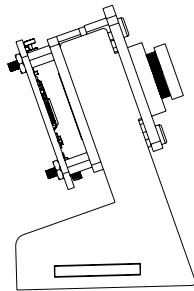
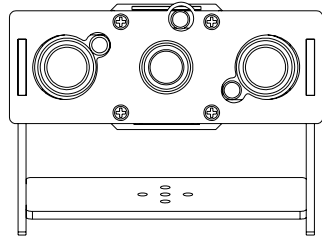
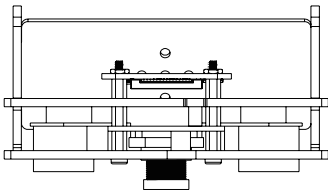


TECHNICAL DRAWING



STEP

www.arducam.com

© 2015 ArduCam

