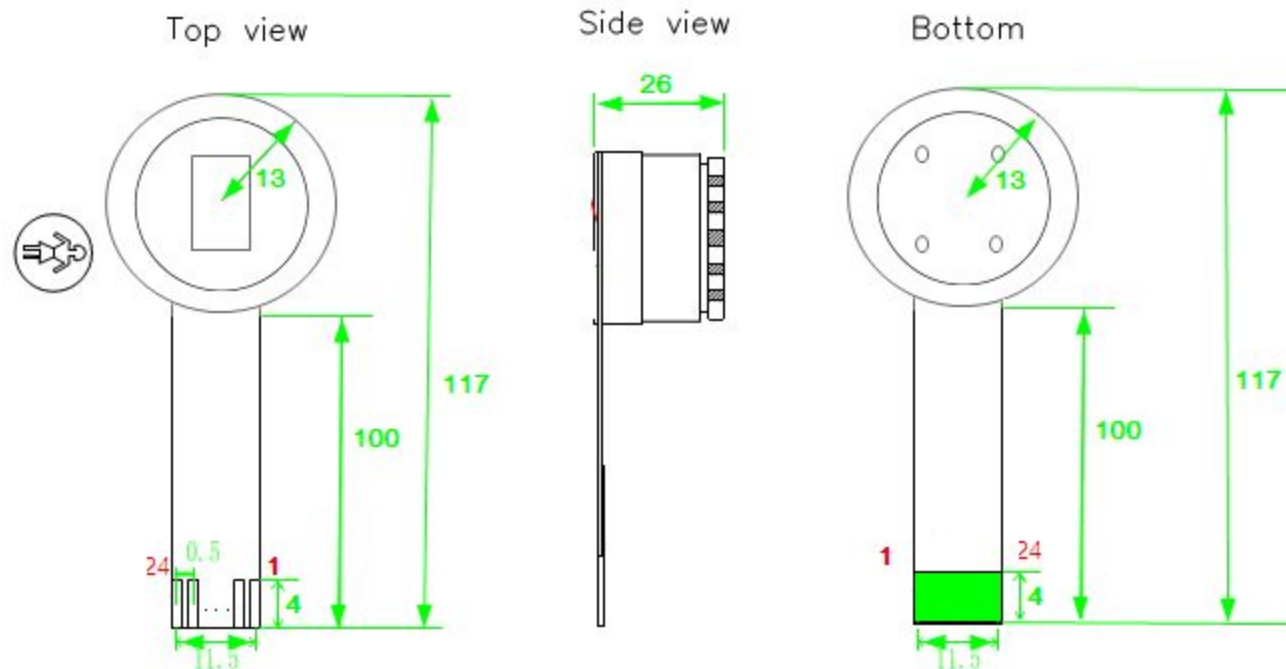


CONNECTOR
24PIN DESCRIPTION

NO.	SYMBOL
1	NC
2	AGND
3	SIO_D
4	AVDD
5	SIO_C
6	RESET
7	VSYNC
8	PWDN
9	HREF
10	DVDD
11	DOVDD
12	Y9
13	XCLK1
14	Y8
15	DGND
16	Y7
17	PCLK
18	Y6
19	Y2
20	Y5
21	Y3
22	Y4
23	Y1
24	Y0



Lens parameter

焦距(EFL)	4.6mm	像素(Array Size)	1280x800
光圈(F.NO)	3.0	镜头类型(Lens Size)	1/4inch
视场角(View Angle)	70°	数字电路电压(DVDD)	1.8±10%v
畸变(Distortion)	<1.0%	模拟电路电压(AVDD)	2.80±5%V
感光芯片(Chip Type)	OV9712 SENSOR	接口电路电压(DOVDD)	1.7Vto3.0V

ITEM	PART NAME	DWG NO.	QTY	MATERIAL	REMARK
Uctronics					
TITLE : UC9712-811					SCALE : 1:1
MATERIAL :				TREATMENT :	
UNSPECIFIED TOL:		DWN.BY : Rick 12 / 03 / 28		PROJECT NO.:	
XXX ± 0.005		CHK.BY : / /		DWG NO.:	
XX ± 0.05		APP.BY : / /		CAD NO.:	
X ± 0.1					
< ± 0.5					
ALL DIMENSION IN MM			REMOVE ALL BURRS BREAK SHARP EDGES		DO NOT SCALE
					SHEET OF P1/1
					A4