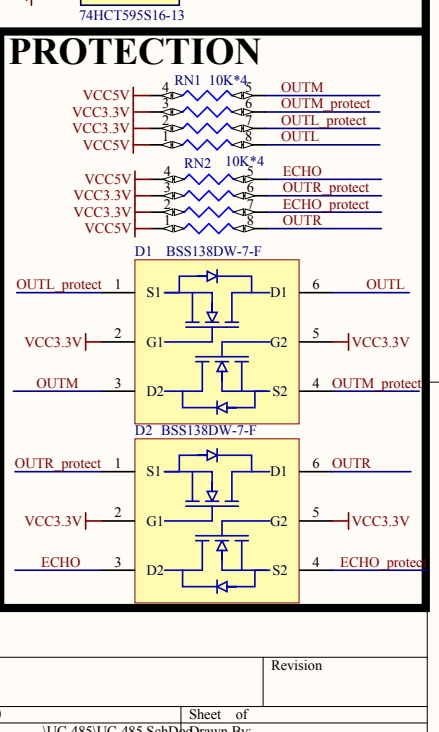
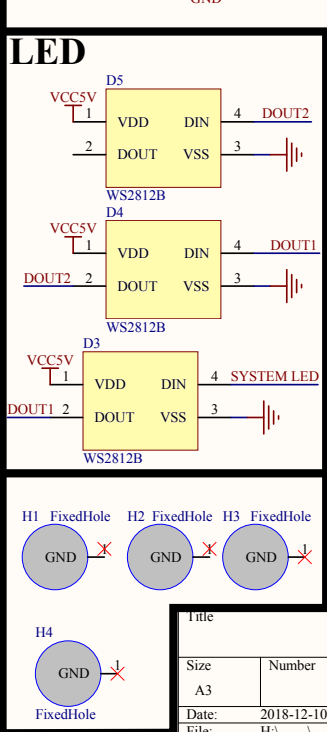


| Driver Board | Pi (BCM) |
|--------------|----------|
| MOTORLATCH | 21 |
| MOTORCLK | 20 |
| MOTORENABLE | GND |
| MOTORDATA | 16 |
| PWM1 | 5 |
| PWM2 | 6 |
| PWM3 | 13 |
| PWM4 | 19 |
| TRIG_PIN | 26 |
| ECHO_PIN | 23 |
| leftSensor | 17 |
| middleSensor | 27 |
| rightSensor | 22 |
| ServoX | 4 |
| ServoY | 25 |
| BUZZ | 12 |
| IR | 24 |
| LED | 18 |



| | | |
|-------|------------|----------------------|
| Title | | |
| Size | Number | Revision |
| A3 | | |
| Date: | 2018-12-10 | Sheet of |
| File: | H:\ | UC-485\UC-485.SchDoc |
| | | Drawn By: |