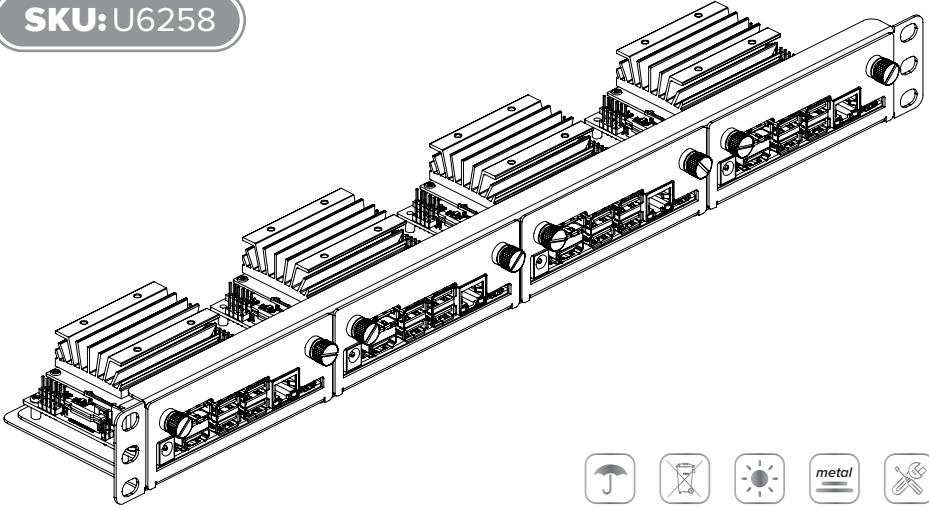


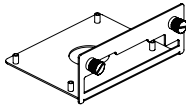
ASSEMBLY GUIDE

SKU: U6258



www.uctronics.com

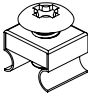
Package Contents



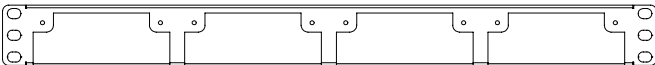
Mounting Bracket with
captive loose-off screws ×4



M2.5*5 round head
screws ×16

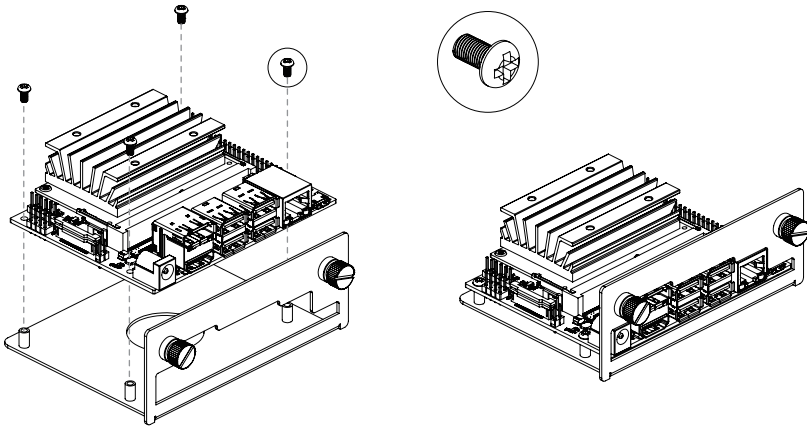


M6*16 rack screw ×4



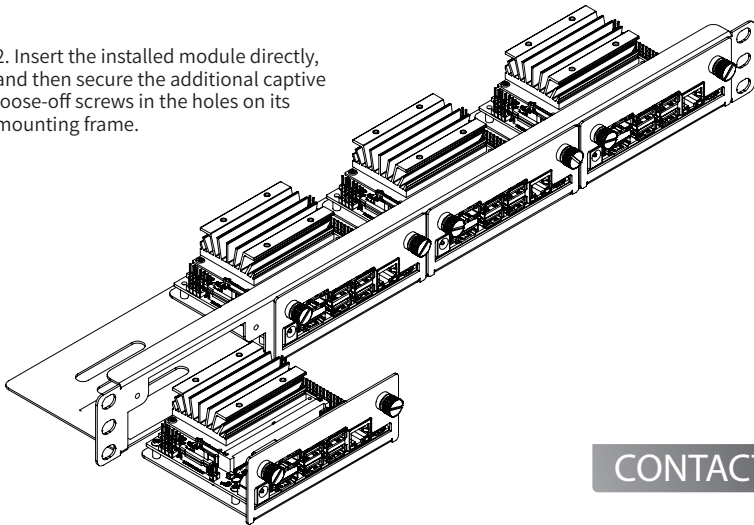
Frame ×1

Installation



1. Attach the Jetson Nano Board to the mounting bracket with M2.5*5 screws.

2. Insert the installed module directly, and then secure the additional captive loose-off screws in the holes on its mounting frame.



CONTACT US

If any problem, feel free to contact us.

Website: www.uctronics.com

Email: support@uctronics.com